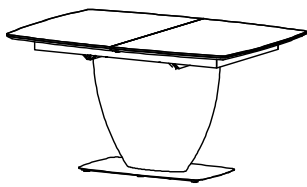


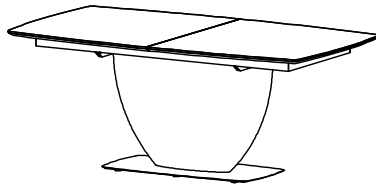
Butterfly table's

Design by BoConcept

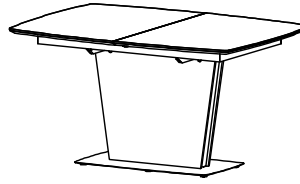
Samvejledning - Assembly Instructions - Montageanleitung - Instructions d'assemblage - Instrucciones de montaje



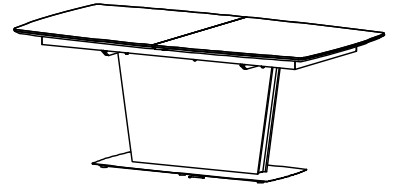
370-T080
4940-5430-5460



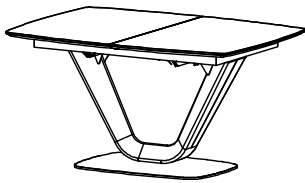
370-T081
4930-5420-5450



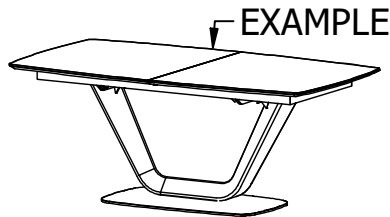
370-T082
5120-5430-5460



370-T083
5020-5420-5450



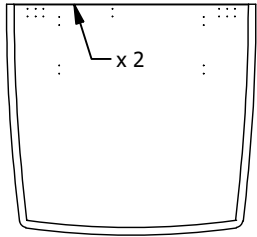
370-T084
5080-5430-5460



370-T085
5070-5420-5450

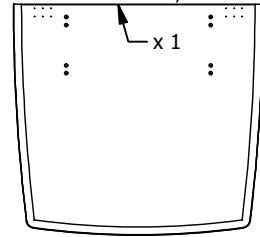
Occa 5450

006647 Wood



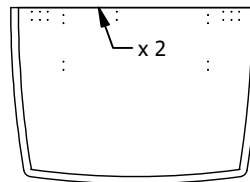
Occa 5451 x 2

006651 Ceramic 3,5 mm
007008 Ceramic 5,6 mm



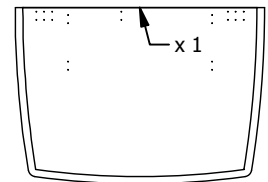
Occa 5460

006646 Wood
006650 Ceramic 3,5 mm

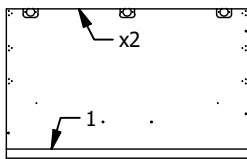


Occa 5461 x 2

007217 Ceramic 5,6 mm

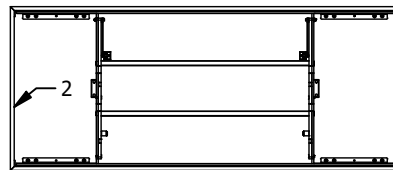


Occa 5421



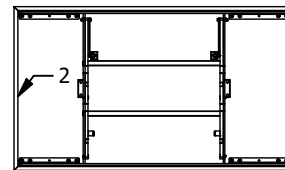
006649 Wood
006653 Ceramic 3,5 mm
007007 ceramic 5,6 mm

Occa 5422



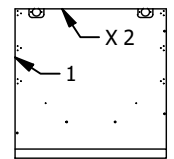
006659

Occa 5432



006660

Occa 5431



006648 Wood
006652 Ceramic 3,5 mm
007218 Ceramic 5,6 mm

Col. 5421: 930001159
Col. 5431: 930001160



A x 4
970003110



B x 4
970001226



C x 1
970001693



D x 4
970001098



E x 8
970001294



F x 1
970001691



G x 3/2
970001278



H x 24
970000786



J x 2
970001300



K x 1
970001269



L x 2
970001289



M x 2
970001290



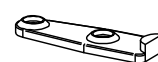
N x 4
970001214



P x 30
970000764



Q x 6
970001975



R x 2
970001083



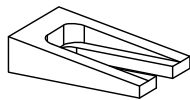
S x 2
970001084



T x 8
970001086



U x 8
970001059



V x 2
970001265



W x 16
970001248

FIG. 1

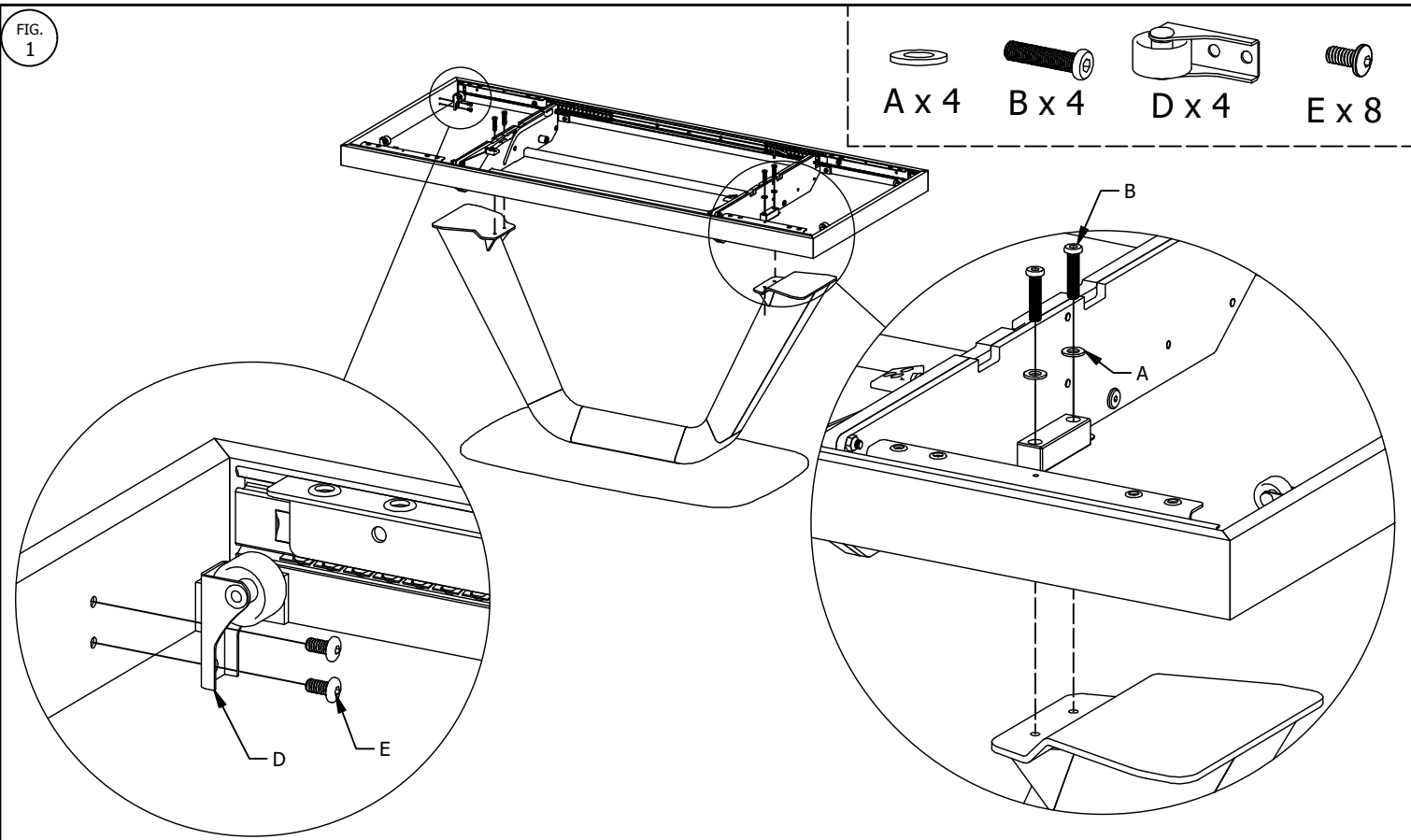


FIG. 2

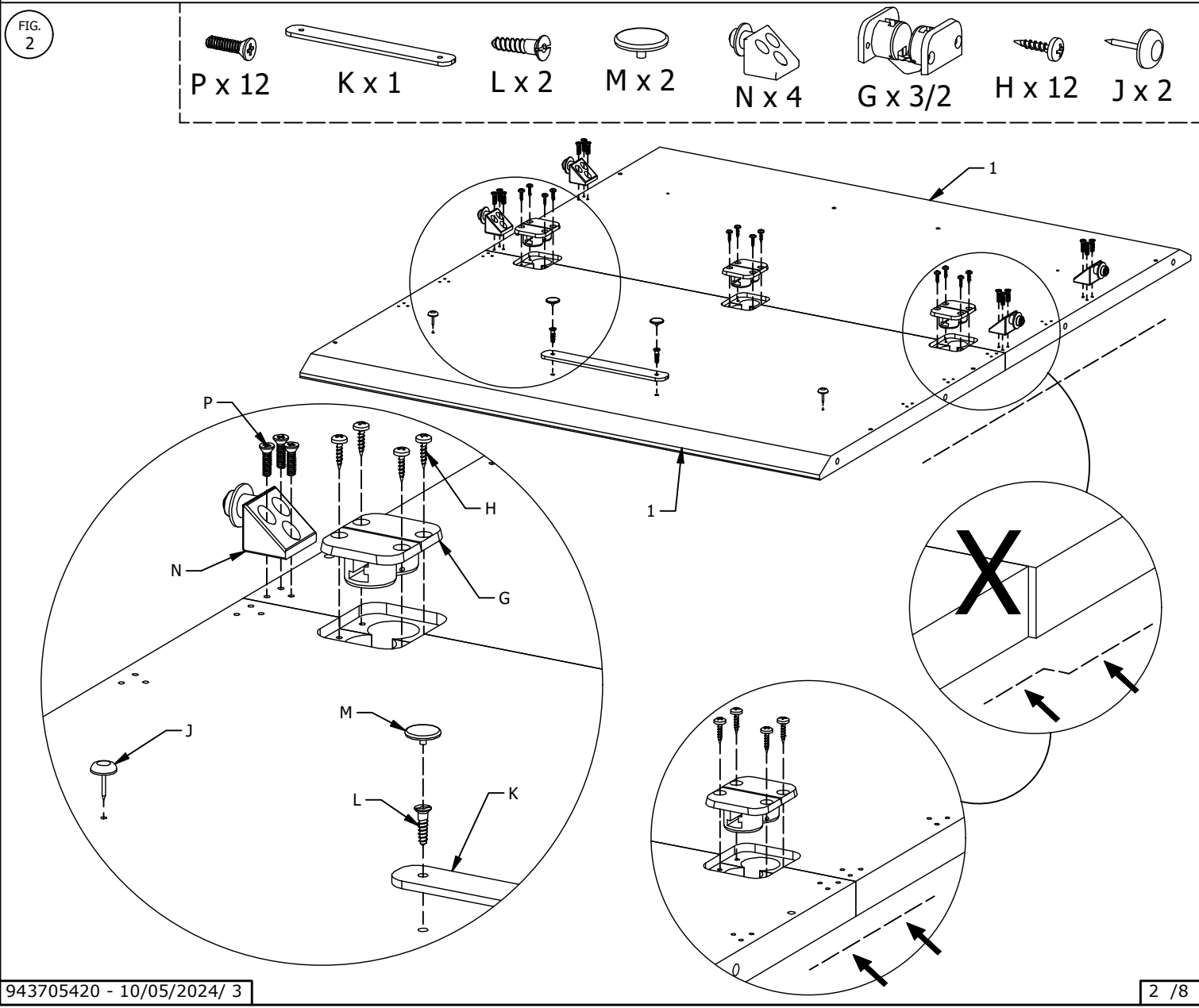


FIG. 3

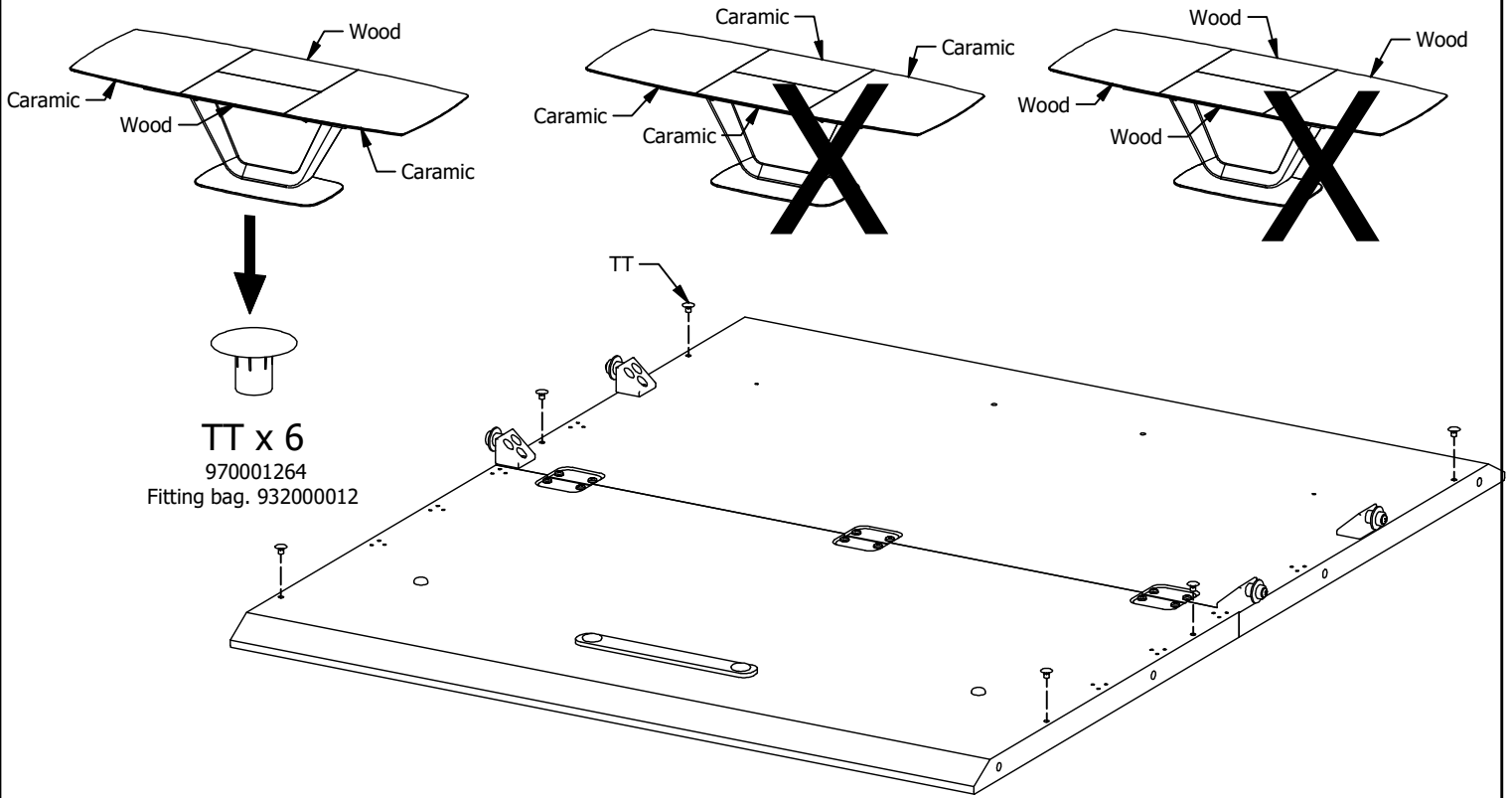


FIG. 4

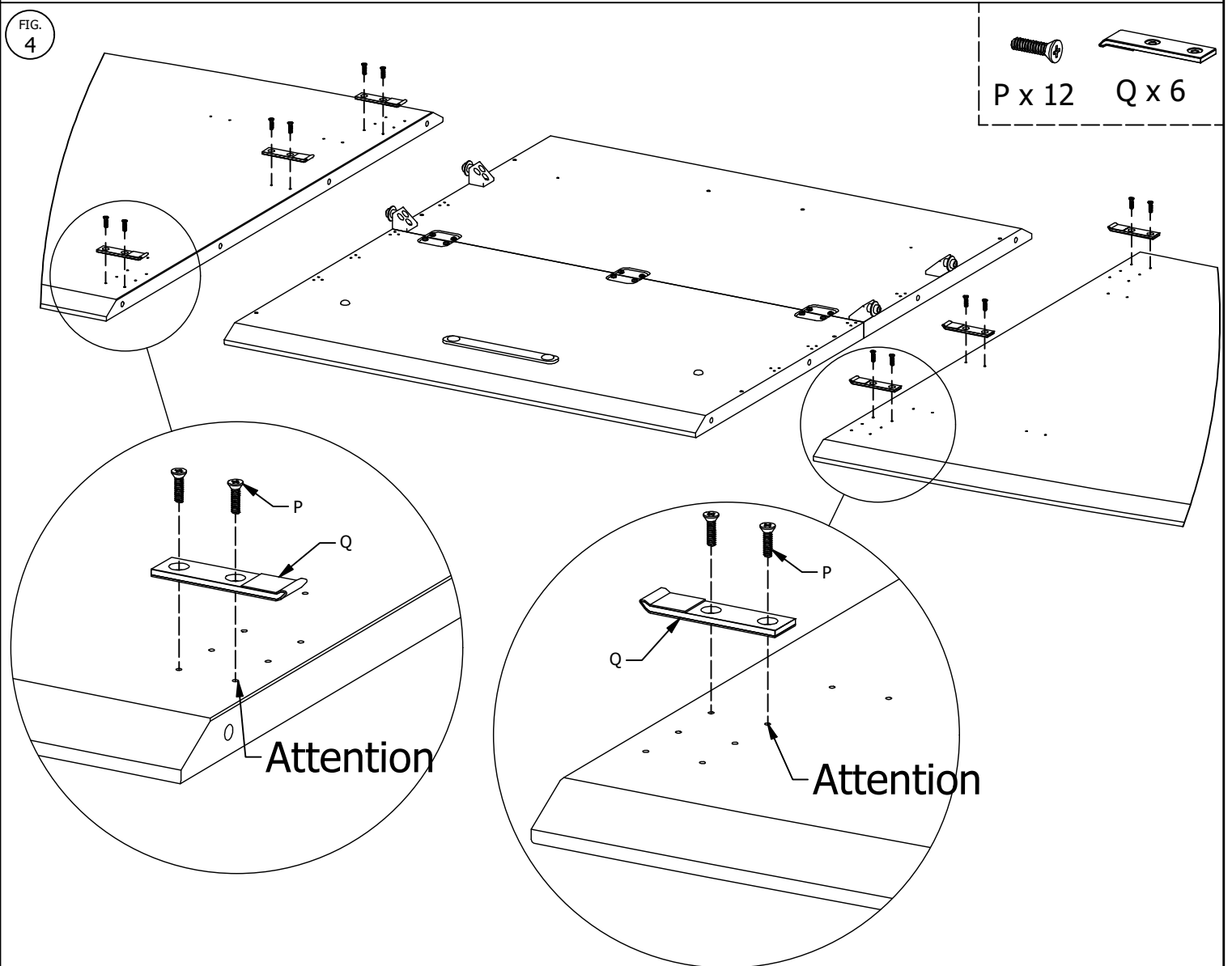


FIG. 5

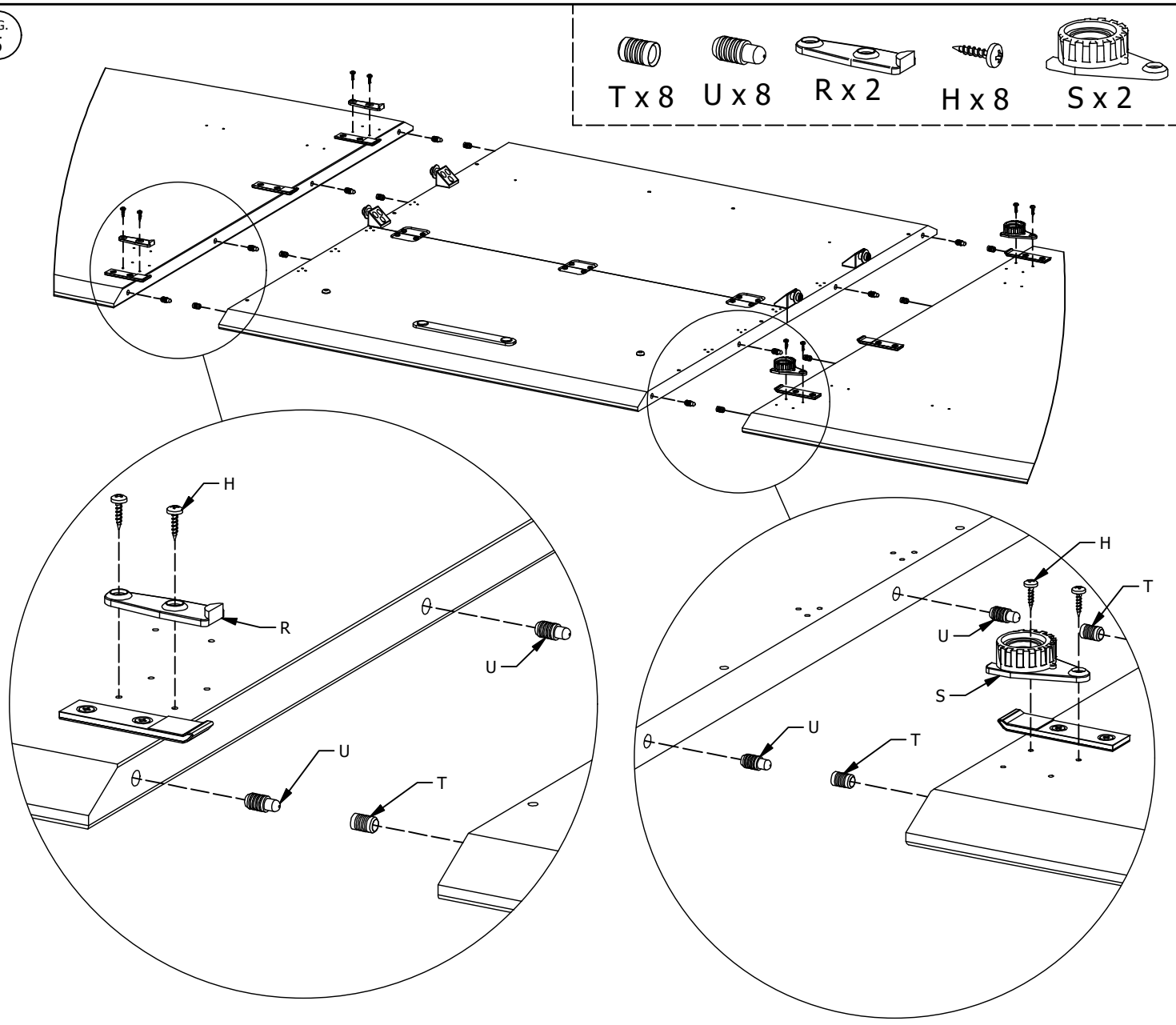


FIG. 6

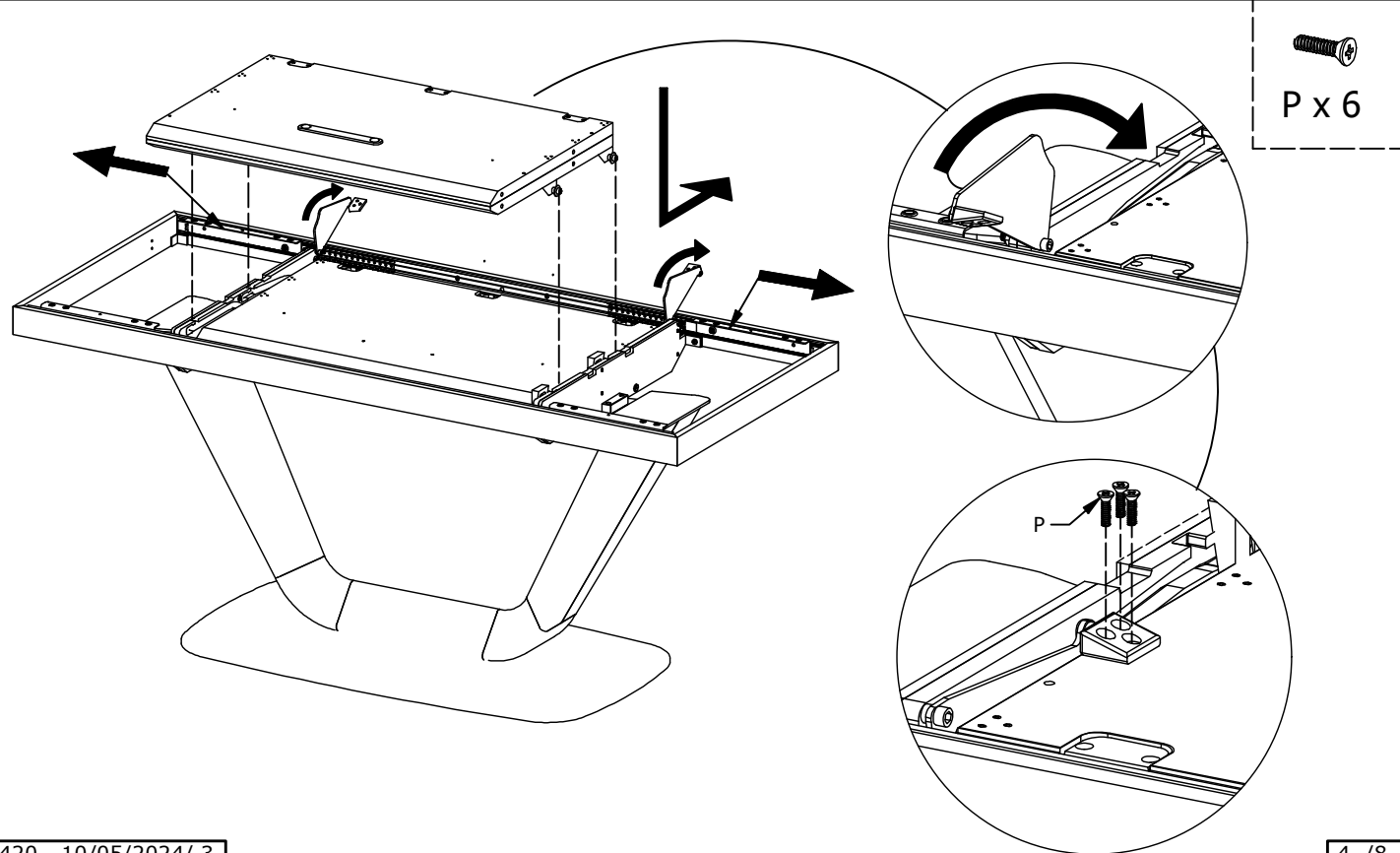


FIG. 7

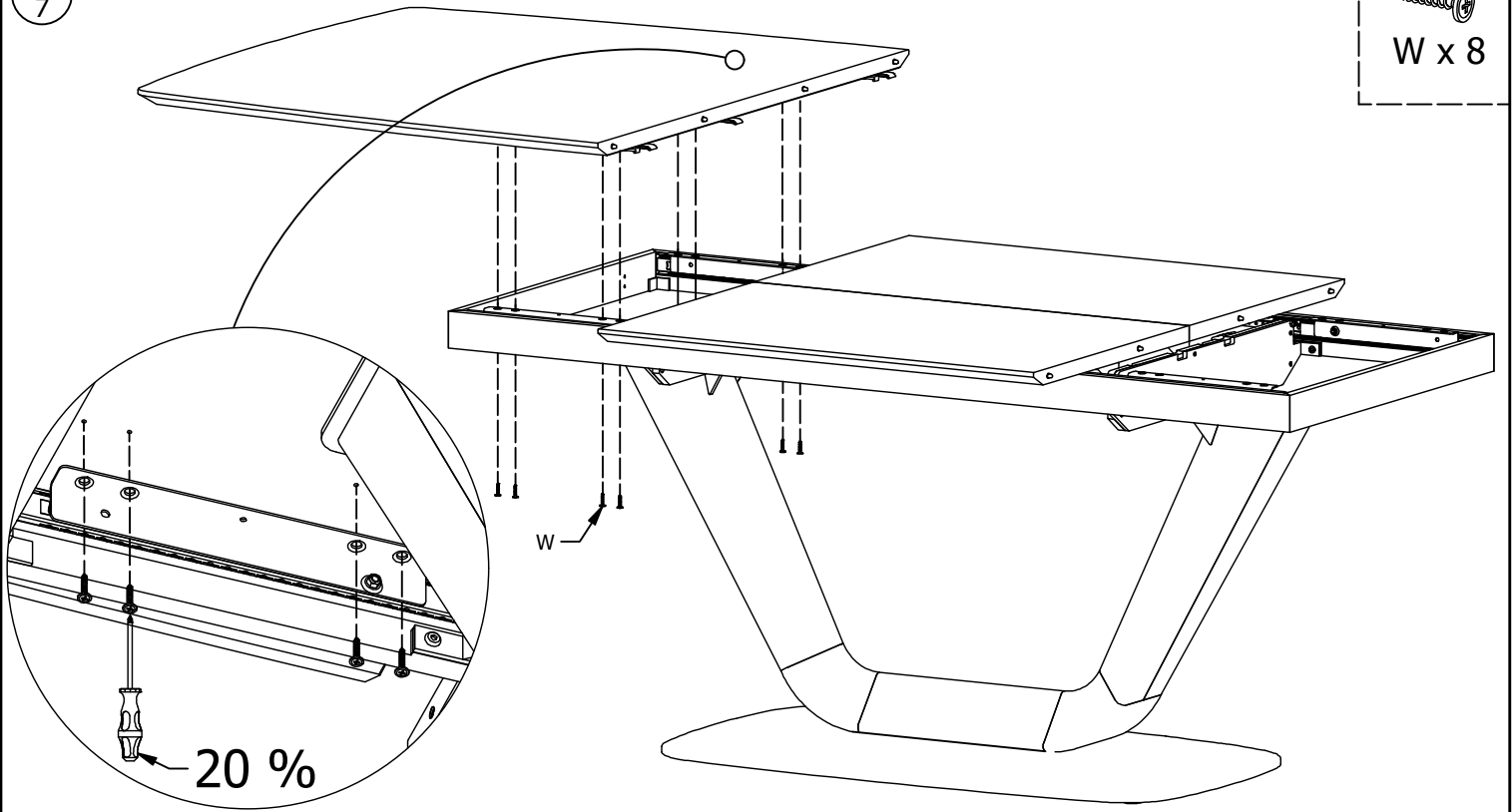


FIG. 8

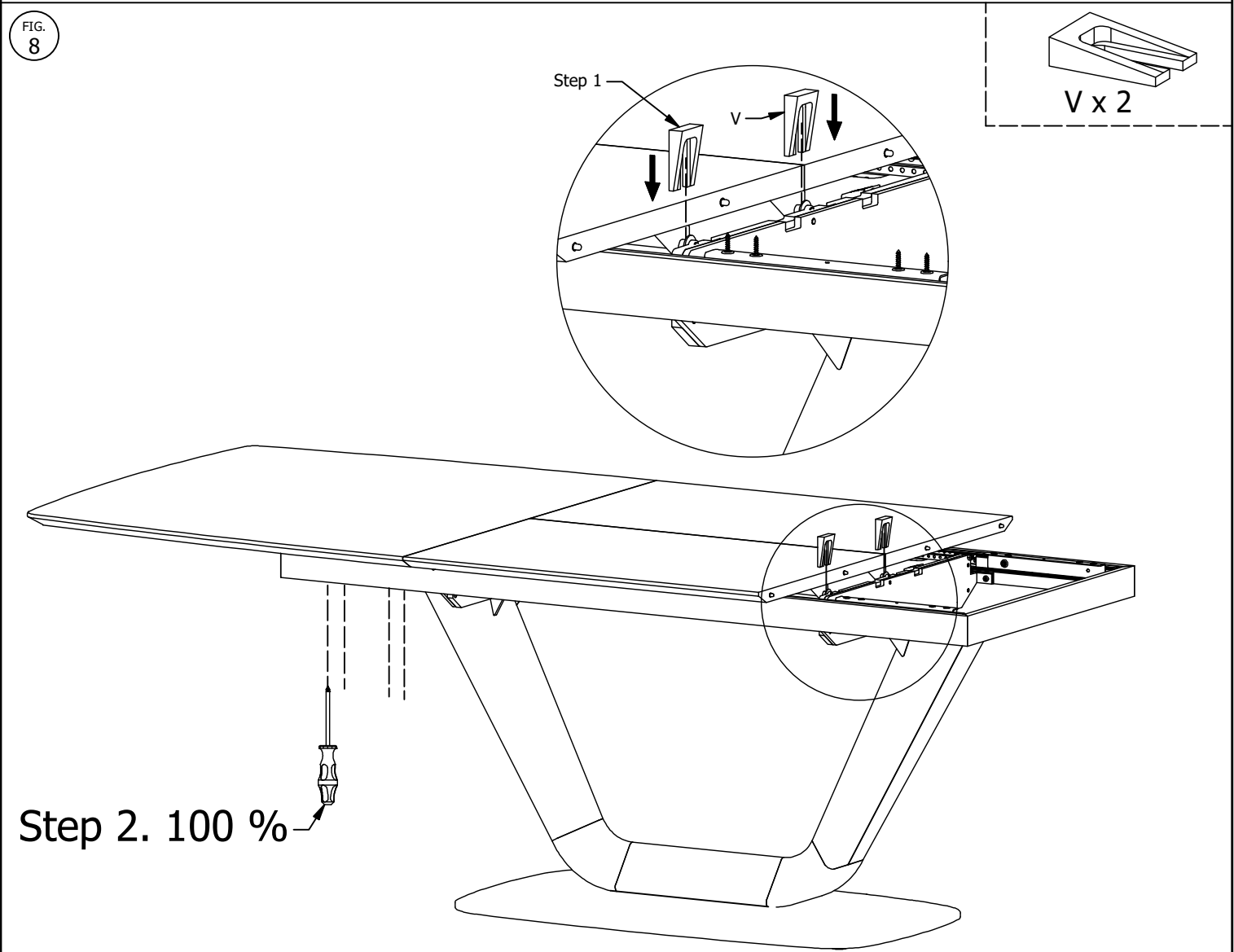


FIG. 9



W x 8

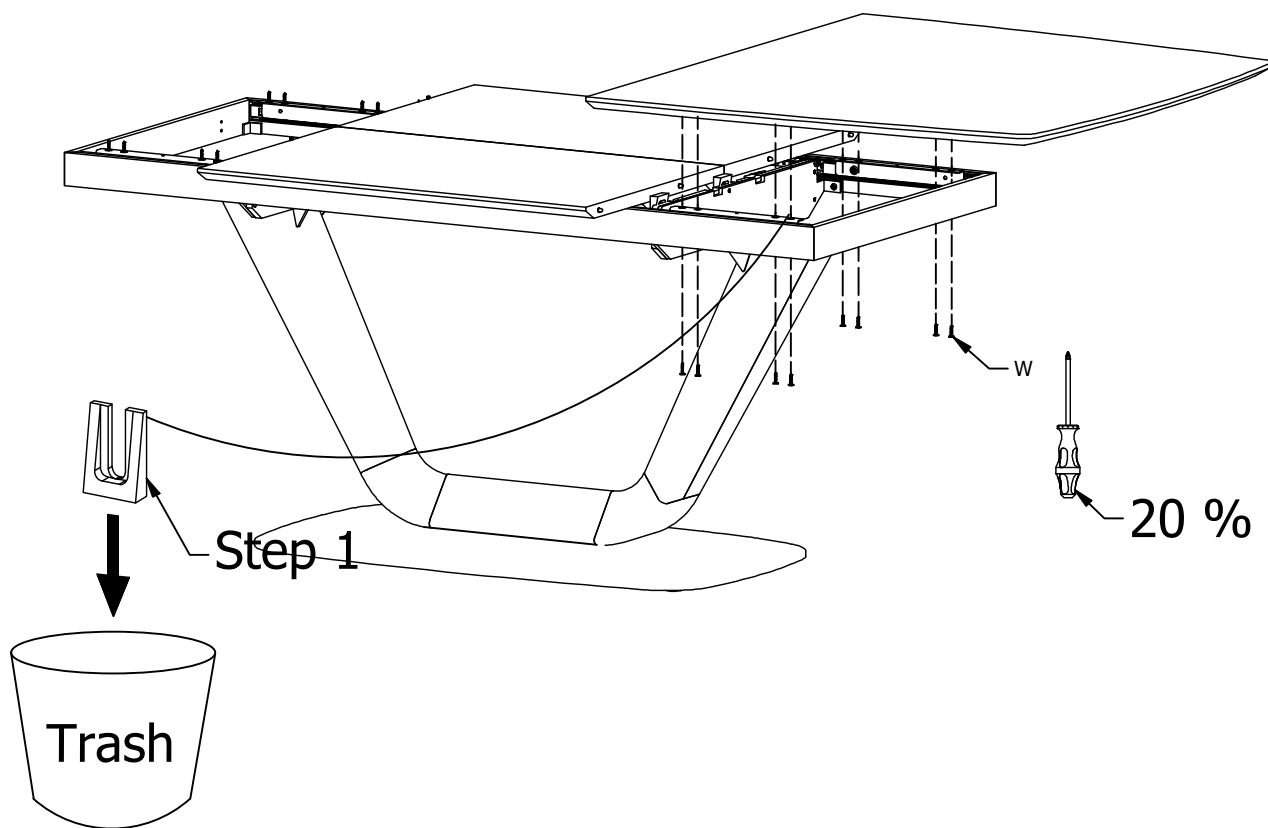


FIG. 10

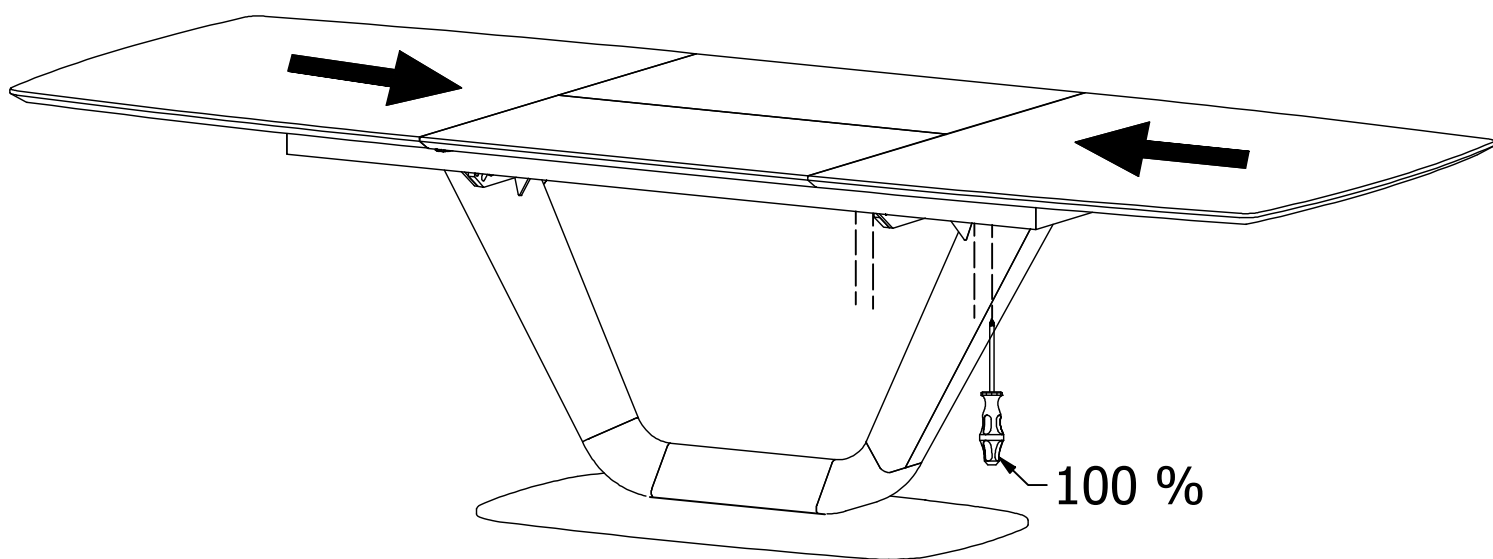


FIG. 11

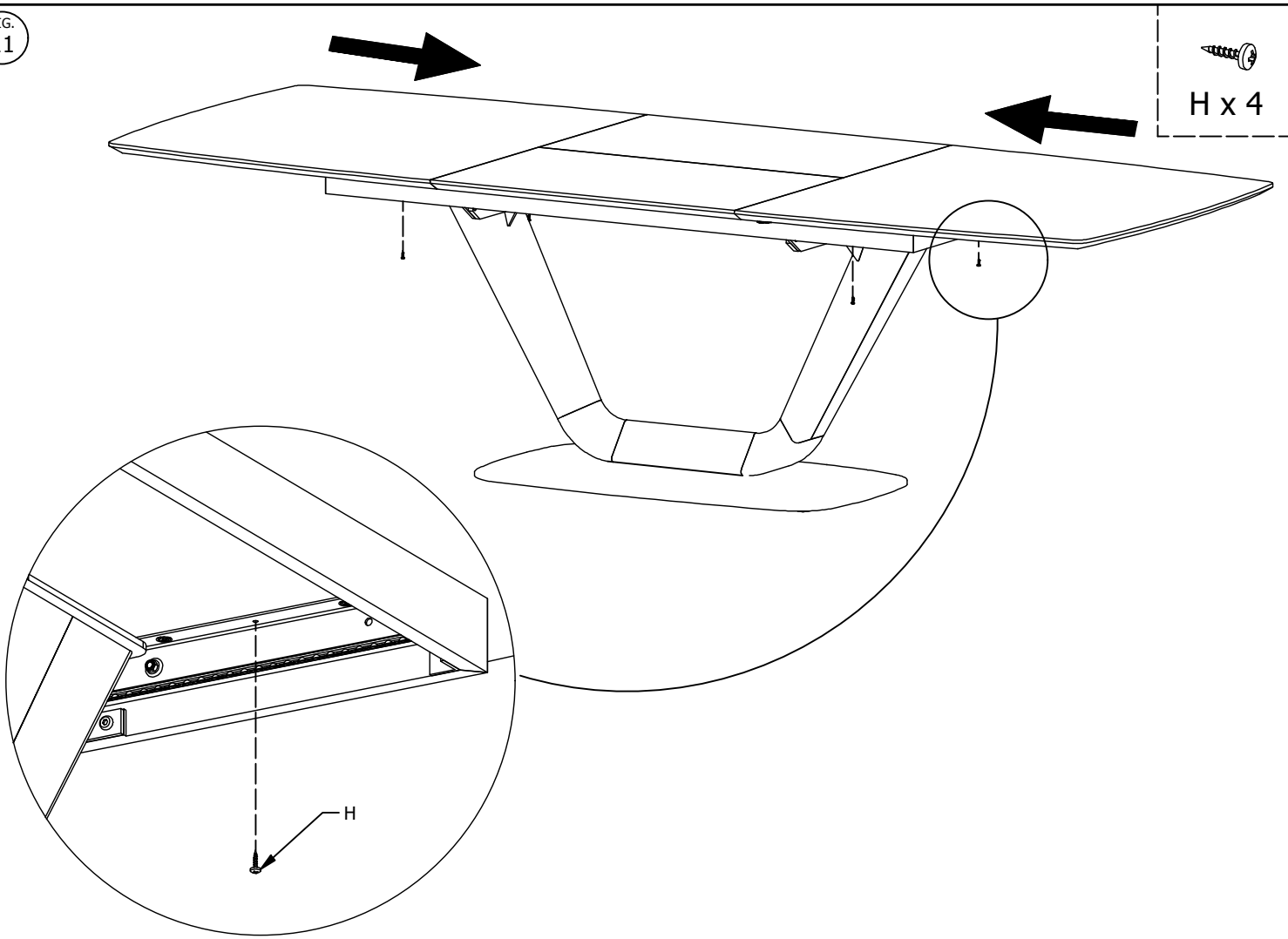
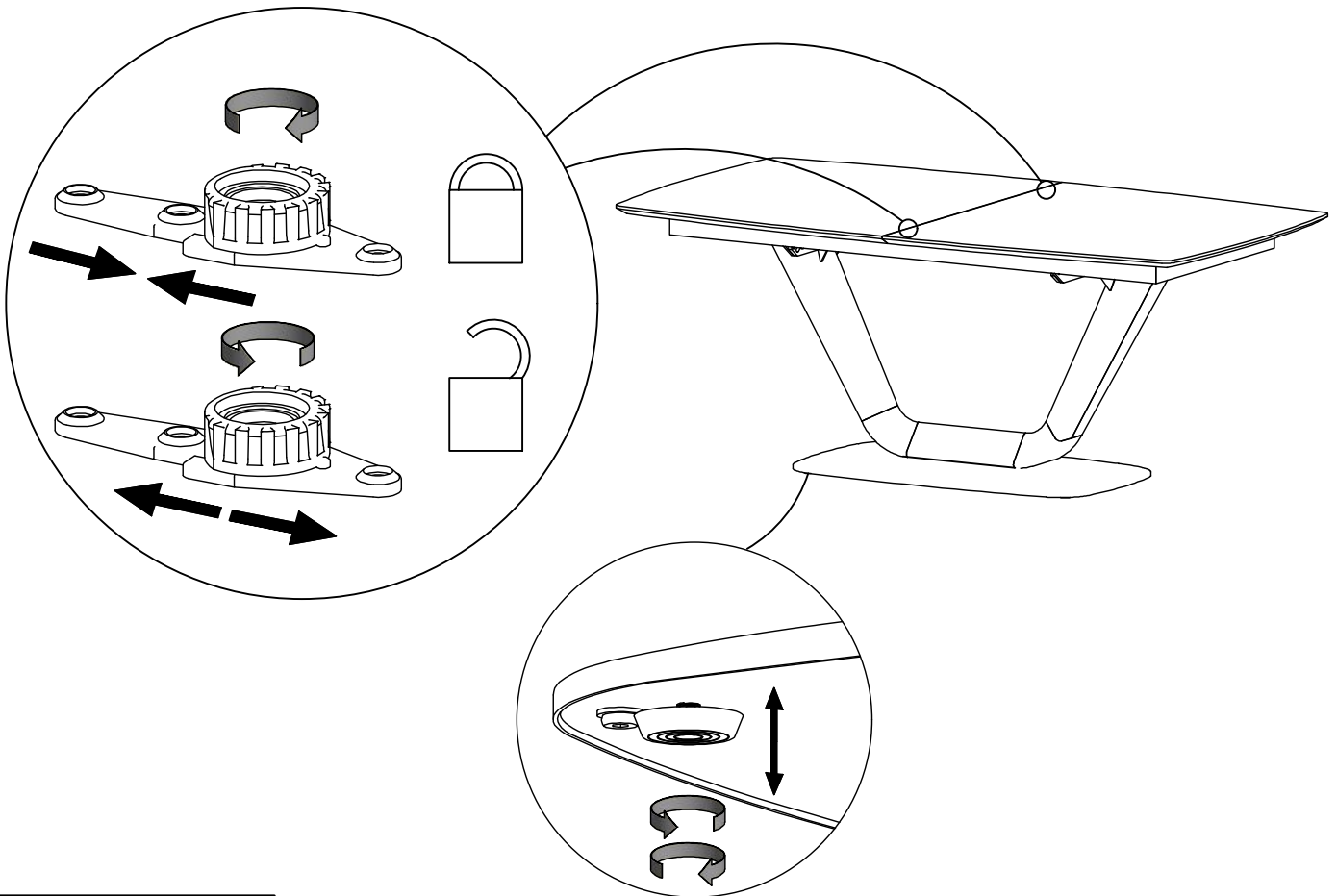
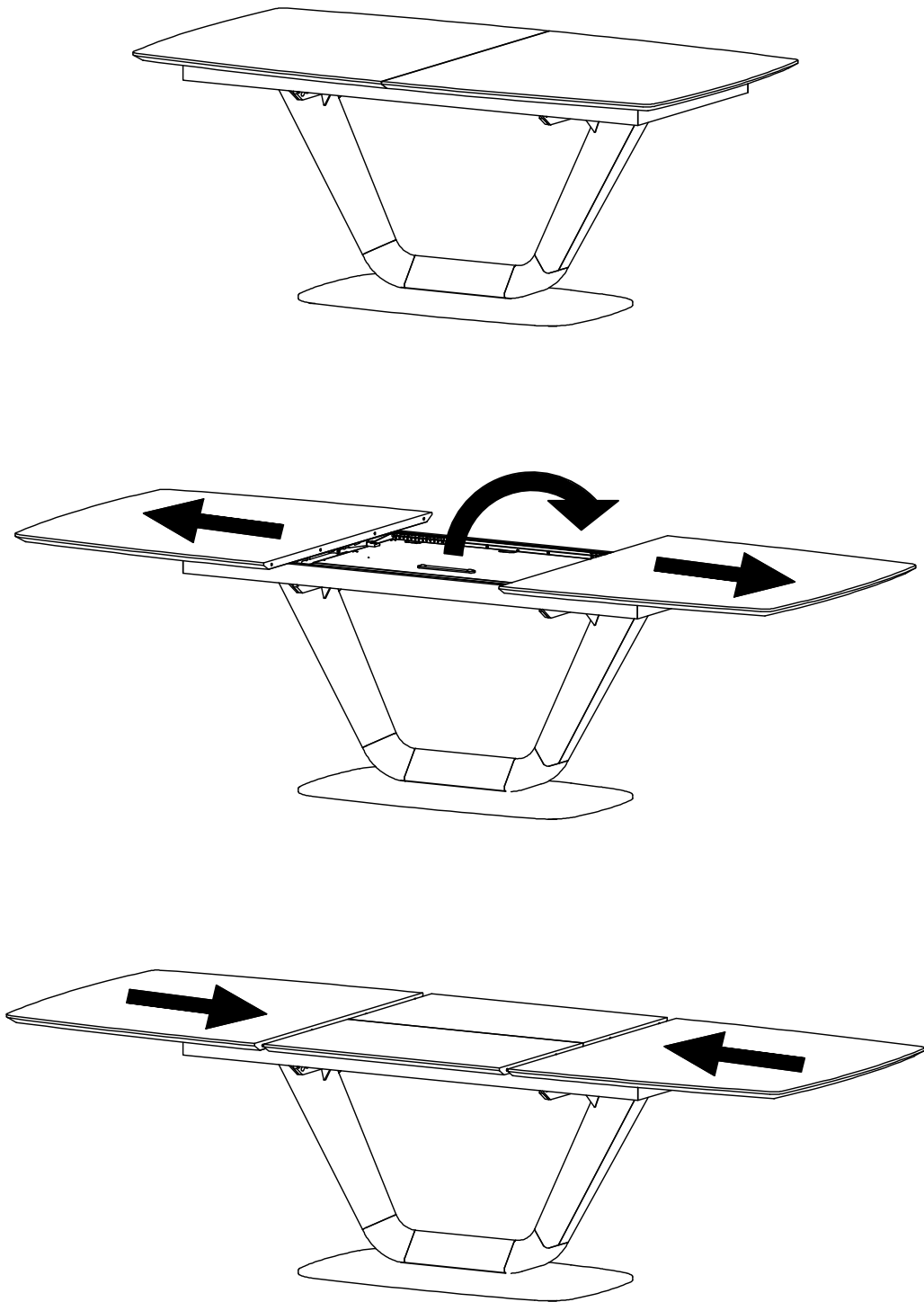


FIG. 12





DK Ved reklamation oplyses følgende:

D Im Reklamationsfall, bitte folgendes erläutern:

US In case of claims, please state the following:

F En cas de réclamation, veuillez indiquer:

NL Bij service volgense mededelen

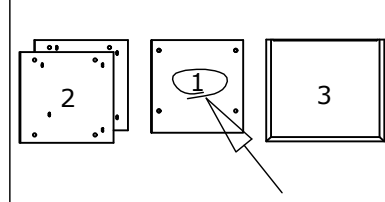
E En caso de reclamación, indicar lo siguiente:

P No caso de reclamação, por favor indique o seguinte:

JP お気づきの点等ございましたら、以下の点をお知らせください。

Example!

Korpus - Korpus - Carcase - Carcasse



Beslag - Fittings - Beschläge - Set de Montage

